

6 5 4 3 2 1

Model: JSMA-PIH44ABK

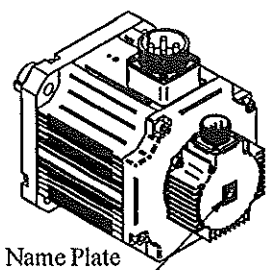
| No. | Item | Symbol | Unit | Specification | No. | Item | Symbol | Unit | Specification |
|-----|------------------|--------|--------|------------------|-----|----------------------|--------|--------------------|---------------|
| 1 | Drive | - | - | 3 φ 220 VAC | 13 | Rotor Inertia | Jm | kg-cm ² | 59.17±10% |
| 2 | Cooling Method | - | - | Totally Enclosed | 14 | Rated Power Rate | Q-R | Kw/s | 132.5 |
| 3 | Exciting Method | - | - | Permanent Magnet | 15 | Resistance | Ra | Ω | 0.167±10%/2 φ |
| 4 | Resolution | - | - | 2500 C/T | 16 | Inductance | L | mH | 4.3±10%/2 φ |
| 5 | Rated Output | P-R | W | 4400 | 17 | Mech. Time Constant | Tm | ms | 0.96±10% |
| 6 | Rated Torque | T-R | N-m | 28 | 18 | Elect. Time Constant | Te | ms | 25.81±10% |
| 7 | Max. Torque | T-max | N-m | 70 | 19 | Insulation Class | - | - | Class F |
| 8 | Rated Speed | N-R | rpm | 1500 | 20 | Operation Temp. | T | °C | 0-40 |
| 9 | Rated Current | I-R | A | 23.6 | 21 | Operation Humd. | RH | % | <80 |
| 10 | Max. Current | I-max | A | 59 | 22 | Storage Temp. | T | °C | -20°~60° |
| 11 | Torque Constant | Kt | N-m/A | 1.19±10% | 23 | Storage Humd. | RH | % | <80 |
| 12 | Voltage Constant | Ke | V/krpm | 79±10% | 24 | Weight | W | kgw | 22.1 |

Encoder Wiring

| Pin | Signal |
|-----|--------|
| B | +5V |
| I | 0V |
| A | A/U |
| C | A/U |
| H | B/V |
| D | B/V |
| G | Z/W |
| E | Z/W |
| F | FG |

Motor Wiring

| Pin | Signal |
|-----|--------|
| A | U |
| B | V |
| C | W |
| D | FG |



Name Plate for Notice

NOTE:
Motor to be IP67.
(excluding the shaft opening & connectors)



Do not Hammer!
Name Plate for Notice

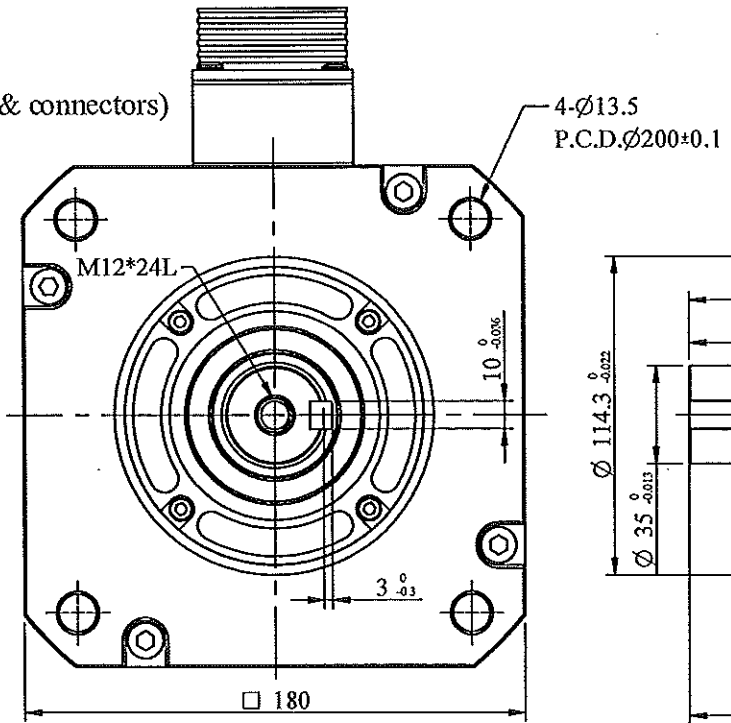
AC SERVO MOTOR

Model: JSMA-PIH44ABK
Pr: 4.4 KW ; Nr: 1500 rpm
Ir: 23.6 A , Tr: 28 N-m

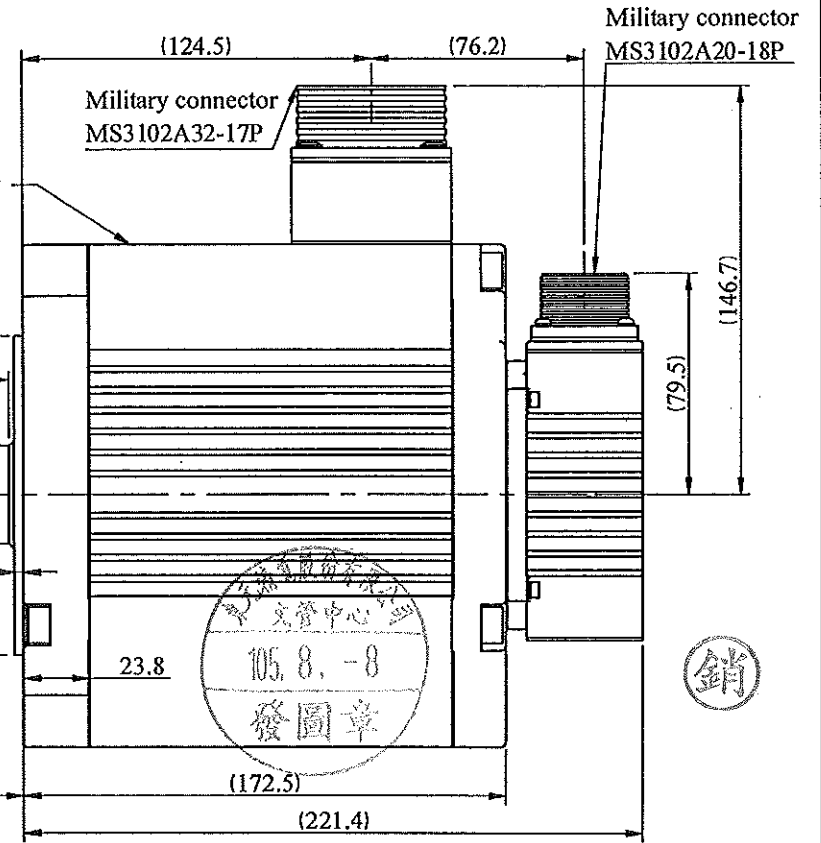
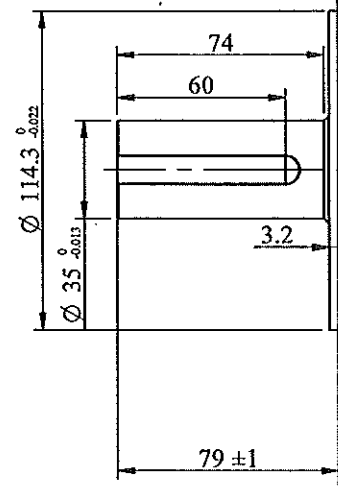
NO.

TECO ELECTRIC MACHINERY CO., LTD. MADE IN TAIWAN

Name Plate for Spec



Name Plate for Spec



| STANDARD TOLERANCE | | APVD | SCALE | UNIT | mm | NAME | Servo Motor Outline Drawing | |
|--------------------|-------------|-----------|-----------|--------------------------------|------|-------------|-----------------------------|-------------------|
| X | ±0.5 | Michelle | 2/15/16 | 3RD .A.P | mm | TITLE | JSMA-PIH44ABK | |
| .X | ±0.2 | | 6/28/16 | | | | | |
| .XX | ±0.05 | | | | | | | |
| ANGLE | ±30' | DWN | Chase | | | | | |
| MATERIAL | | DATE | 06-24-'16 | TECO ELECTRO DEVICES CO., LTD. | | Dept Design | DWG. NO. | D01B18442H3NTAD01 |
| REV | DESCRIPTION | SIGNATURE | DATE | SIGNATURE | DATE | | | |

6 5 4 3 2 1